

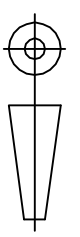


RESOURCE ENGINEECH (INDIA) PVT LTD.  
 BARODA - 390010, INDIA.  
 E MAIL :- info@resource.co.in.  
 FAX NO:- +91-265-2638048

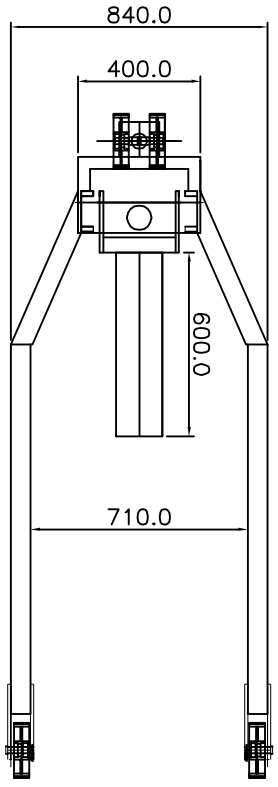
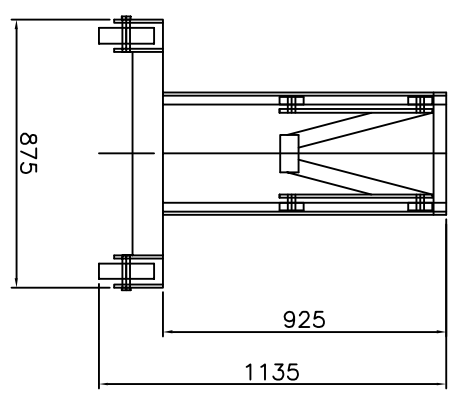
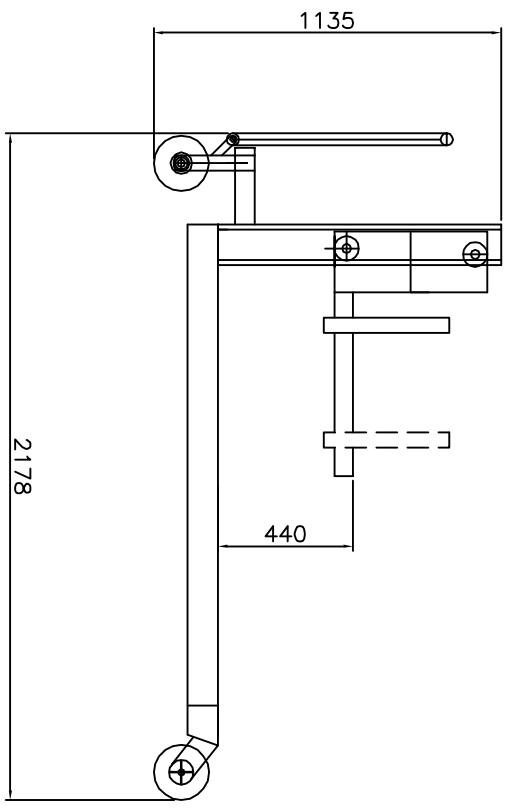
CUSTOMER NAME :-

DATA SHEET NO-19  
 SHAFT PULLER

ALL DIMENSION  
 IN MM



SCALE  
 N.T.S.



**BASIC CUSTOMER FEEDBACK**

PRESENT GRIPPING WIDTH:-	CORE INNER DIAMETER:-
MACHINE NAME:-	COLLAPSED SHAFT DIAMETER:-
MAX GRIPPING WIDTH:-	EXPANDED SHAFT DIAMETER:-
MIN GRIPPING WIDTH:-	SPEED :-
LOAD :-	CORE MATERIAL :-

FOR IMPROVEMENT & MODIFICATION RESOURCE HAS RIGHT TO CHANGE DIMENSION WITHOUT PRIOR NOTICE.