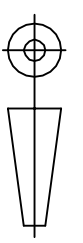


RESOURCE ENGMTECH (INDIA) PVT LTD.
BARODA - 390010, INDIA.
E MAIL :- info@resource.co.in.
FAX NO:- +91-265-2638048

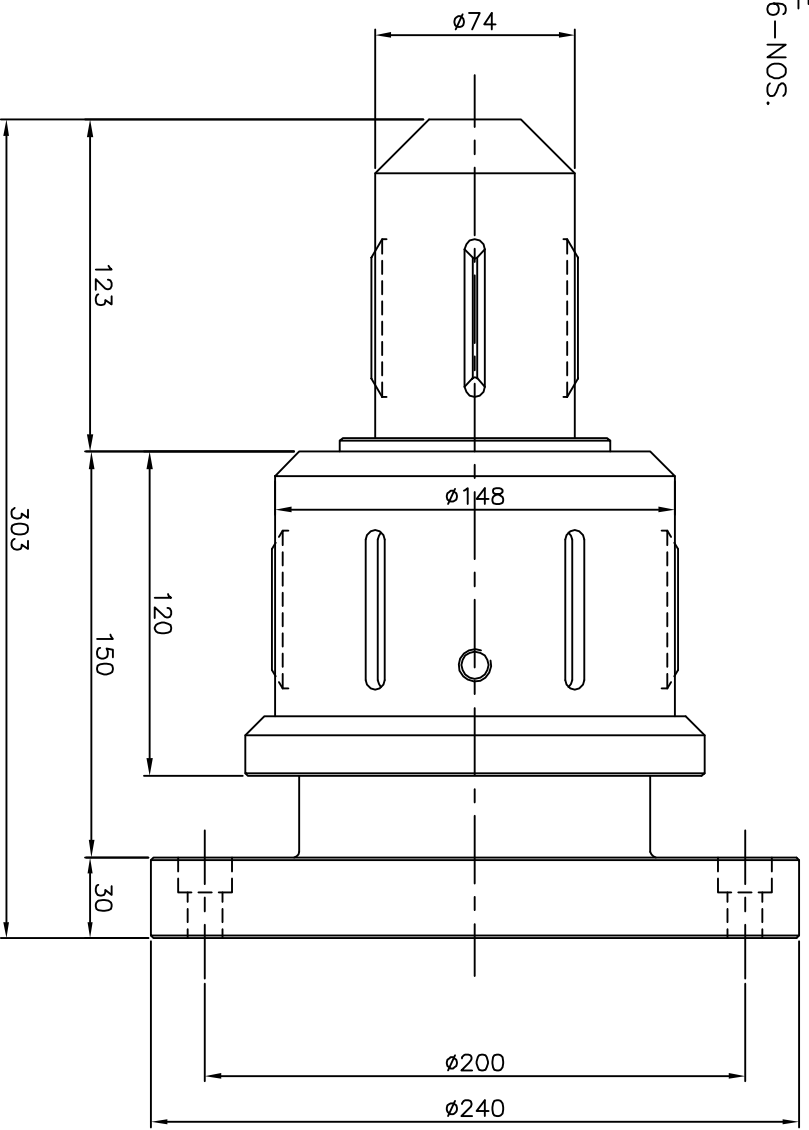
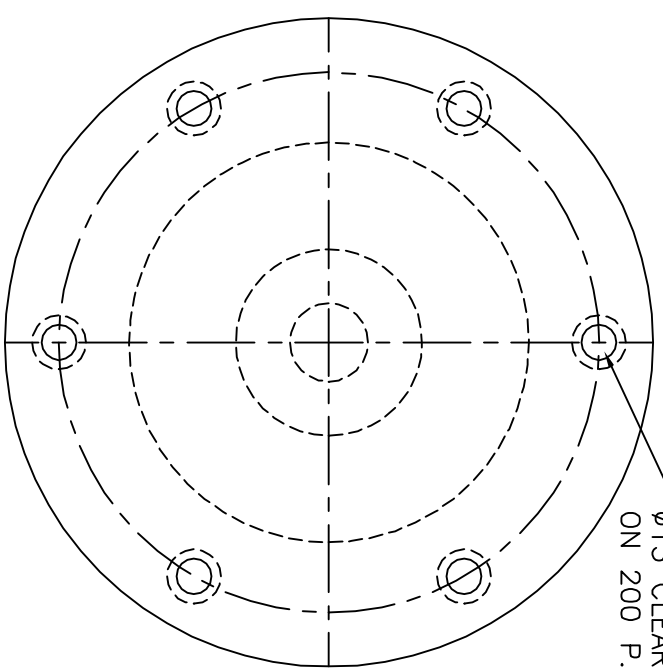
CUSTOMER NAME :-

DATA SHEET NO:- 8
THRUST CHUCK

ALL DIMENSION
IN MM



SCALE
N.T.S.



BASIC CUSTOMER FEEDBACK

PRESENT GRIPPING WIDTH:-	CORE INNER DIAMETER:-
MACHINE NAME:-	COLLAPSED SHAFT DIAMETER:-
MAX GRIPPING WIDTH:-	EXPANDED SHAFT DIAMETER:-
MIN GRIPPING WIDTH:-	SPEED :-
LOAD :-	CORE MATERIAL :-

FOR IMPROVEMENT & MODIFICATION RESOURCE HAS RIGHT TO CHANGE DIMENSION WITHOUT PRIOR NOTICE.